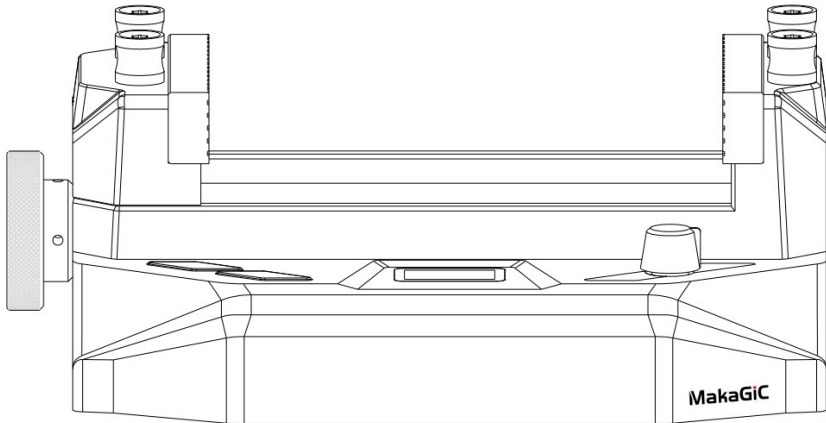


MakaGiC

MakaGiC VS01 smart vise

Product instruction manual



Thank you for choosing our products, please read this manual carefully before installation and use.

Please observe the warnings and precautions marked in the product manual.

The pictures are for reference only, and the product is subject to the actual product.

Directory

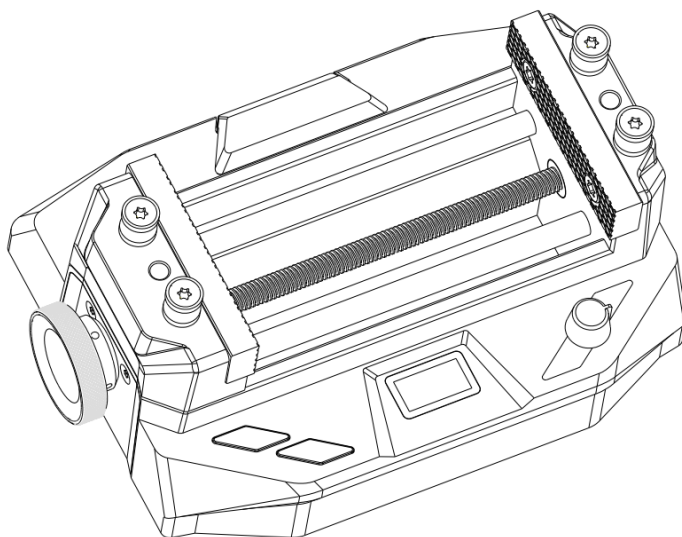
1. Product introduction.....	1
2. Safety instructions.....	2
3. Packing checklist.....	4
4. Basic parameters.....	5
5. Name of main parts.....	6
6. Instructions for use.....	7
7. Repair and maintenance.....	8
8. Scrap disposal.....	10
9. Warranty description.....	10

1. Product introduction

Thank you very much for choosing MakaGiC smart electric vise, Please read this instruction manual carefully, this manual introduces the function, point and maintenance of this machine. Please save it together with the purchase invoice for future use.

MakaGiC VS01 is the world's first smart electric vise, developed specifically for individual DIY enthusiasts and makers teams. With its intelligent torque feedback function and rich expandable accessories, it can simplify your tasks and increase work efficiency. MakaGiC VS01 not only helps you engrave and weld, but also helps you with painting, polishing and DIY. More other clamping scenarios can be expanded with DIY and accessories.

MakaGiC VS01 wants to be with you every moment and looks forward to being an indispensable assistant in your creative work.



2. Safety instructions

In order to ensure the safety of use and avoid injury and property damage to you or others, please be sure to observe the following safety precautions. Failure to observe the safety warnings and incorrect use may result in accidents and serious injury to eyes, hands and limbs.

This product is not intended for the following users: unattended young children, disabled persons, etc.

2.1 Prohibited Content

- Do not allow children to operate the product alone and make sure that they do not use the product as a toy, and keep the equipment out of the reach of infants. Keep the equipment out of the reach of infants. Keep children or other people away from the power tool when using it.
- It is forbidden to move or touch the running parts when this product is working to avoid accidental injury.
- Do not use the equipment in environments where there is a risk of explosion, such as flammable liquids, gases, or waste chips. Sparks from the tool may ignite chips and gases.
- It is prohibited to pile up sundries on this product to avoid automatic operation of the tool due to accidental touching of buttons.
- The power plug of the device must coincide with the socket, it is forbidden to use a voltage below or beyond the safety parameters of the product. Do not clamp electrically charged parts, which may cause accidental electric shock.
- Do not disassemble the product, there is no user can repair parts inside the fuselage, if you encounter any problems, please contact us in time.

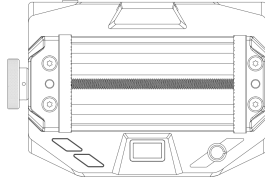
MakaGiC

- Do not place the product in a humid location or in a dusty, high-temperature environment, as this may affect the performance of the product. Otherwise, it will affect the performance of the product. The product should be operated under the environment of 10~45°C and humidity between 20%~60%, if it is out of this range, it may affect the product life. If it is out of this range, it may affect the life of the product.

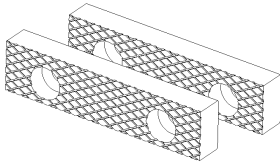
2.2 Mandatory content

- When the battery or other parts are damaged, you must stop using this product and contact the manufacturer to have it replaced or repaired by a professional to avoid causing injury.
- Before disassembling or commissioning parts of the product, make sure that the product is powered off.
- Before using this product, please make sure the charging voltage is the same as the default specification of this product to avoid safety danger and damage.
- If there is any abnormal jamming phenomenon during the operation of the product, please turn off the power immediately and contact the manufacturer after sale service.
- When the device cannot be avoided in a humid environment, use a leakage protector to reduce the risk of electric shock.
- Do not use hammers, extension weight bars, etc. on rotating handles. Never use the vise as an assembly or press for disassembling items. Do not vigorously hammer the vise surface and , motion guides.
- When the unit cannot be avoided for use in wet environments, use an earth leakage protector to reduce the risk of electric shock.
- Wear protective gear and always wear eye protection.

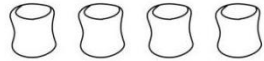
3. Packing checklist



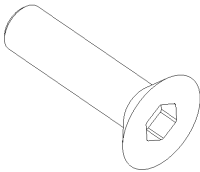
Smart electric vise ×1



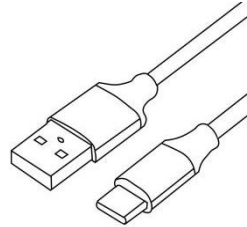
Clamping Jaw ×2



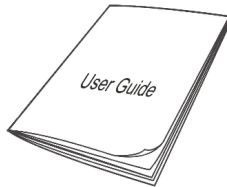
Clamp column ×4



Bolt ×4



Type-C data cable ×1

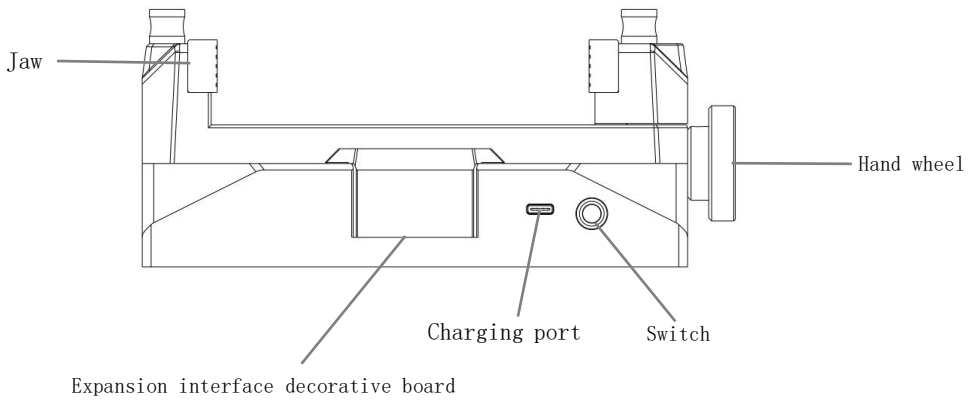
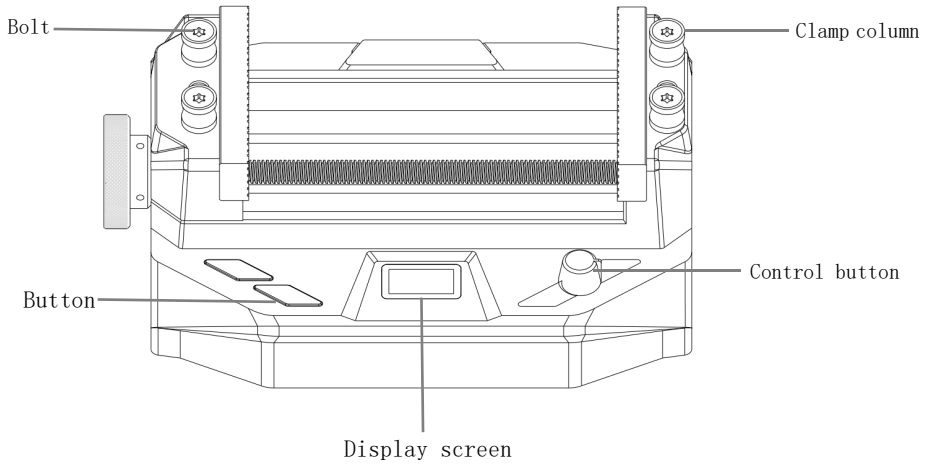


User Guide ×1

4. Basic parameters

Product name	MakaGiC smart vise
Product model	VS-01
Charging voltage	DC5V
Battery info	4400mAh
Clamping distance	0-125mm
Clamping force	65kg • m/s ²
Body frame material	Aluminum alloy body
Jaw size	3 inch
Control mode	Electric or manual
Product size	202*137*77mm
Package size	248*184*90mm
Screen size	0.96 inches OLED

5.Name of main parts



6. Instructions for use

6.1 Connect the power cord and turn on the power

Remove the product from the box, place it on a ventilated and stable platform, connect the power cord, and turn on the power switch.

6.2 Check

Turn on the power switch on the rear of the product and check whether the display lights up normally.

6.3 Adjustment of clamping torque

Turn the orange knob on the right and watch the number change on the display to adjust to your desired torque.

6.4 Push the clamping button

Gently press the left button to move the clamp left and right, press the left button hard to the second trigger stroke to trigger the one-touch open/close function, the clamp will stop clamping when it senses the torque you set.

6.5 Sleep state

In order to reduce standby power consumption and extend the life of the vise, we have designed a sleep function, when the vise is more than ten minutes without receiving an operation command, it will enter the sleep state, and display the sleep icon on the screen if needed. If you need to exit, just tap the button on the left side of the body to exit the sleep mode.

6.6 Replacement clamp

We included a bunch of 3 inch steel clamps with the package, if you want to replace the customized clamps or your clamps are damaged, you can unscrew the four M6 bolts that hold the clamps in place and replace the customized clamps, you can visit our website www.makagic.com to get

the clamp documentation to download.

6.7 Installation of expandable accessories

We have designed expandable accessories for the VS01, so you can purchase the accessory separately if you need it.

Before installing the accessories, you need to lift up the orange decorative block on the rear of the unite to remove it and expose the contacts and mounting slots, then assemble the accessories onto the slots in the same direction. Then assemble the accessories to the slot in the same direction , and then downward to use the accessory. The accessory is ready for use. After installing the accessory, you can press the knob on the right side of the fuselage to enter the secondary menu and select the corresponding function for adjustment.

6.8 Turn it off

Turn off the power switch on the rear of the product and check that the display goes off.

7. Repair and maintenance

- If the device is not suitable for a long time, please charge the device to 40% and place it in a ventilated and dry environment at a temperature of 5°C~25°C;
- If the grease on the optical shaft and screw is found to be black, remove the dirt and apply new grease;
- After the equipment is used for a long time, it may accumulate stains. You can wipe and dry it with an alcohol cotton ball dipped in detergent with tweezers;
- Please do not overload the equipment, please choose the power tool correctly according to your use;
- Do not use power tools with damaged switches, power tools that cannot be switched properly are dangerous and must be repaired;

MakaGiC

- Keep the fuselage dry, clean and free of grease. The slippery handle and buttons will make the device unable to operate safely in emergencies;
- The device can only be charged using the charge voltage specified by the manufacturer, and non-compliant voltages may pose a fire hazard during charging;
- In the case of compression, the battery may spray liquid, please avoid contact. In case of accidental contact, rinse immediately with water. The liquid ejected from the battery can cause irritation and burning. If the liquid comes into contact with the eyes, seek medical help immediately;
- When maintaining or replacing parts of the device, power off the device and remove the power plug. These measures can prevent the device from being started unexpectedly;
- Keep unused tools out of reach of children and do not allow people who are not familiar with the product operation process to use the device. It is dangerous for people to use the equipment without professional training;
- Do not let the battery run out of charge for more than a month, this will create a risk of total release and reduce the maximum efficiency of the battery. If you have any questions related to this product, please find customer service at www.makagic.com or contact the manufacturer.

8. Scrap disposal

Do not throw power tools in the household garbage! End-of-life machinery, parts and packaging should be disposed of by recycling centres responsible for environmental protection. Please comply with your local national regulations in force.

Please take your unused or malfunctioning battery pack to the local designated public waste management center to jointly build a green environment.

9. Warranty description

Dear Users:

Hello!

In order to let you to enjoy perfect after-sales service, we strictly follow the “United Nations Guidelines for Consumer Protection (UNGCP)” and “Product Quality Law” to implement the after-sales three guarantee service, please keep the valid proof of purchase properly as the basis for enjoying after-sales service.

9.1 Warranty description

- Within 7 days from the day after you sign for receipt, after the after-sales service center test and confirmation, you can enjoy free return and exchange service.
- Within 15 days from the day after you sign for receipt, after the after-sales service center test and confirmation, you can enjoy free exchange and maintenance services.
- Within 1 year from the day after you sign for receipt, after the after-sales service center test and confirmation, you can enjoy free maintenance service.

9.2 Warranty contents

type	Warranty contents	Warranty period
mainframe	Mainframe and Composition	One year
fittings	Expandable Accessories	Half a year

9.3 No warranty ordinance

- Failure and damage caused by failure to operate the machine in accordance with the requirements of the manual.
- Damage caused by improper use, storage and maintenance by consumers.
- Product failure or damage caused by unexpected factors or human reasons (including operation errors, liquid intake, improper insertion, scratch handling, bumping, unsuitable voltage input, etc).
- Normal and reasonable consumption or damage (e.g: natural consumption of housing plugging parts, wear and tear).
- Other failures and damage caused by quality problems of other products (including components) that are not our products.

Product warranty			
Serial number		Frequently used phones	
User name			
Mailing address			
Product model		Product number	
Purchase shop		Time of purchase	
Place of repair		Invoice number	
Maintenance records			
Repair date			
Fault description			
Processing details			
Name of the repair unit			
Signature of the maintenance personnel		Maintenance personnel telephone	
Repair after-sales telephone			
Remark	When purchasing our products, please fill in this warranty immediately, please keep this card properly, consumers do not need to send it back to our company, please bring the warranty and valid invoice when repairing		

MakaGiC

Makagic Intelligent Technology CO.,Ltd

Web: www.makagic.com

E-mail: support@makagic.com

Description version number: V1.0

